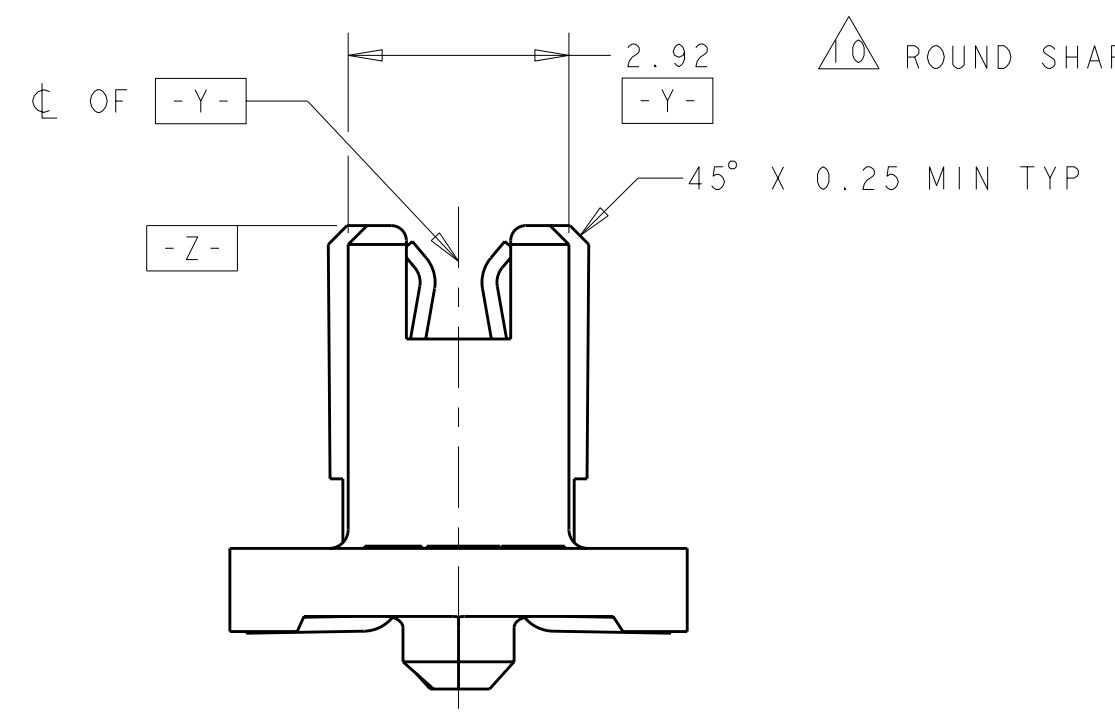
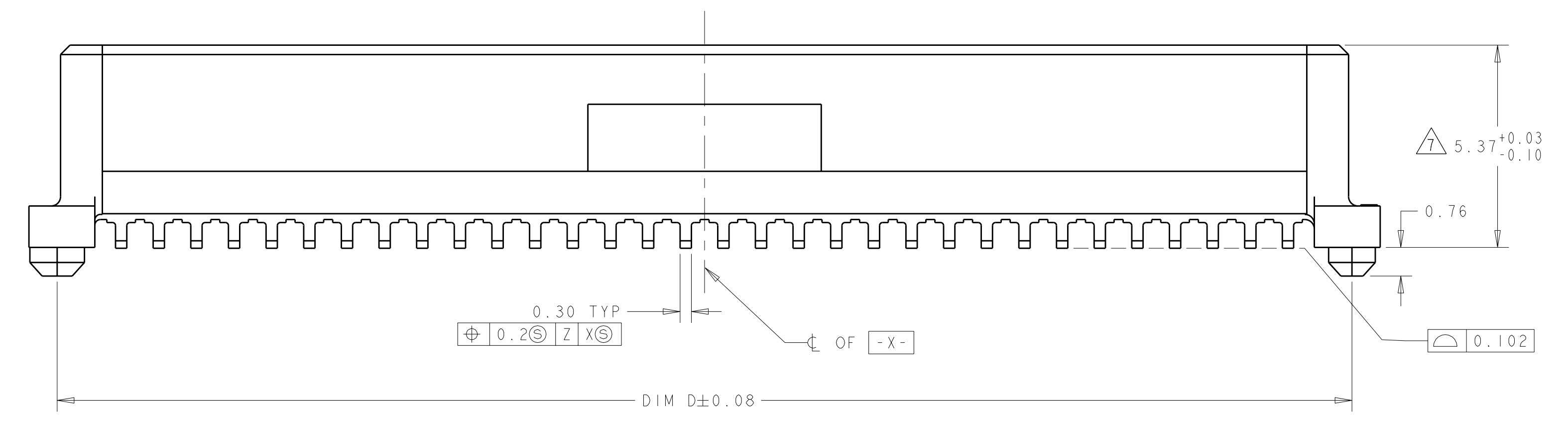
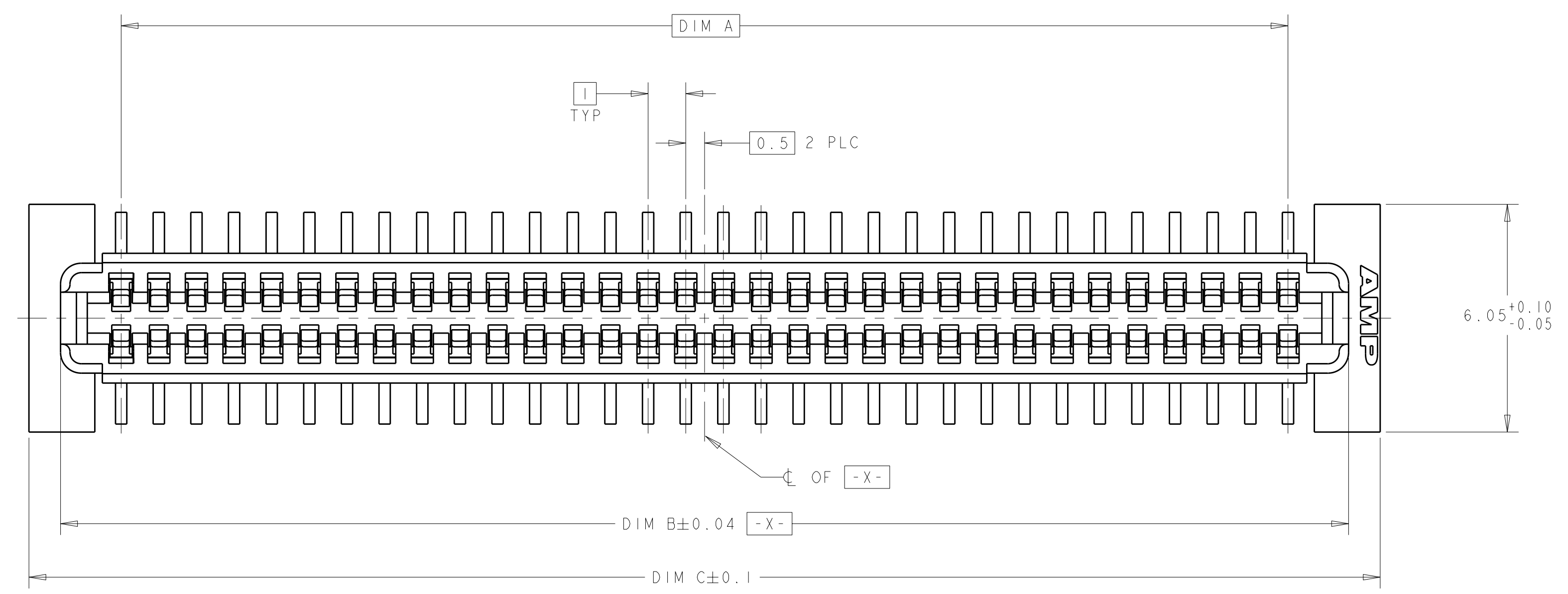
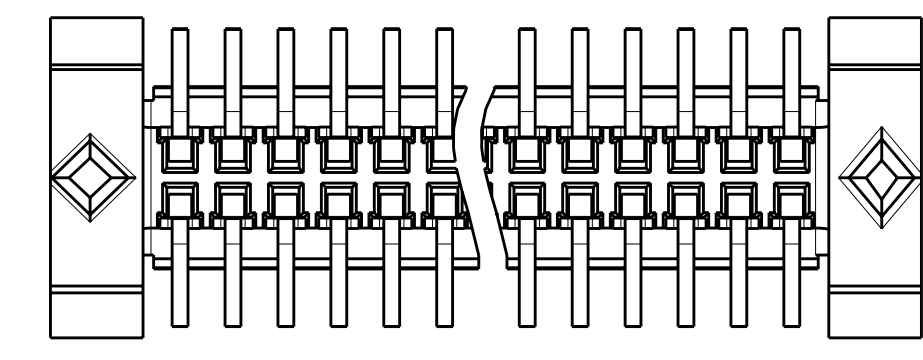


LOC	DIST	REV	DATE	BY	APP'D
AD	00	A2	11MAR2011	RK	HMR
		REVISIONS			
		DESCRIPTION	DATE	BY	APP'D
		REVISED PER ECO-11-004835	11MAR2011	RK	HMR

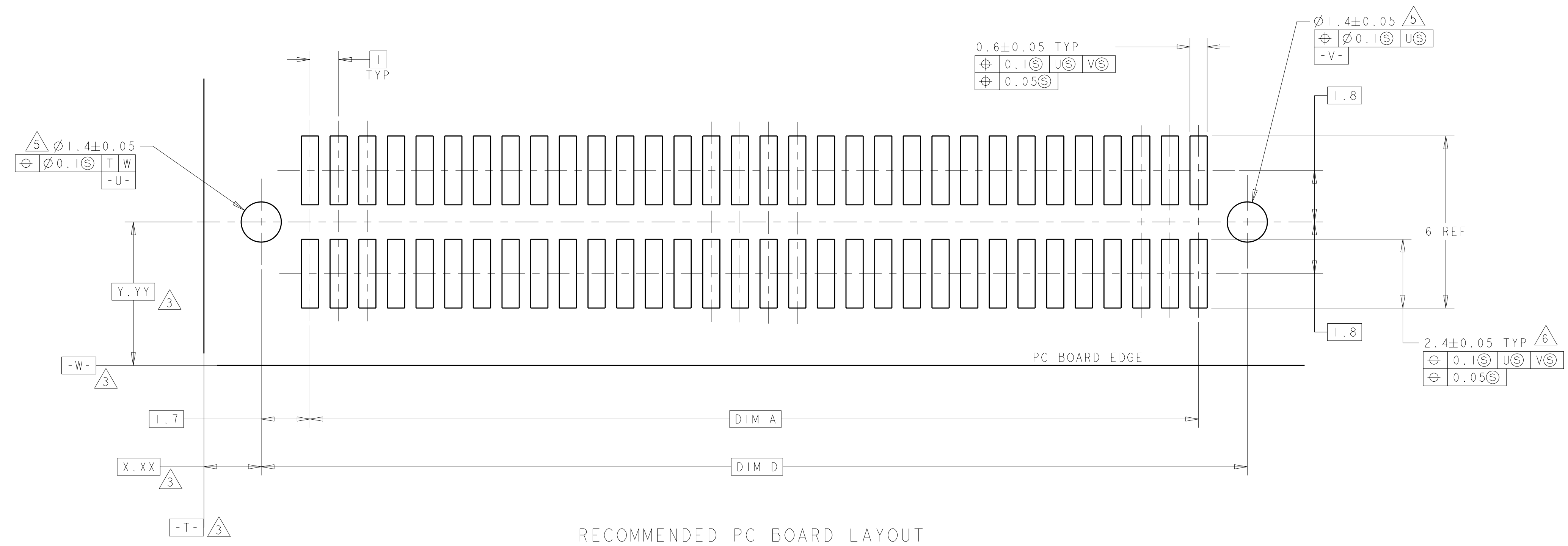
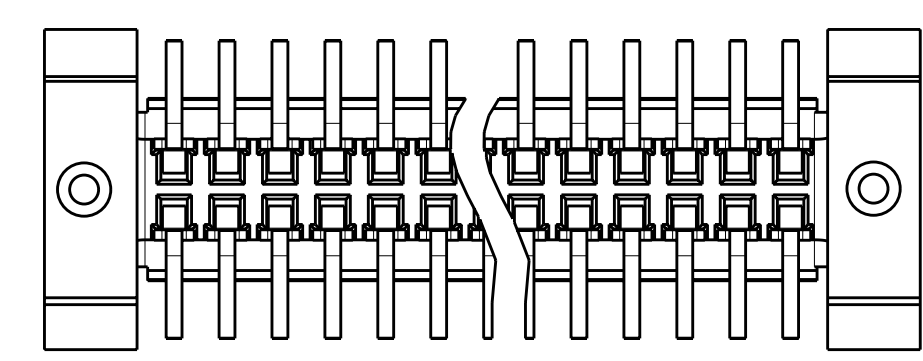


1. HOUSING MATERIAL: HIGH TEMPERATURE THERMOPLASTIC, COLOR: BLACK. CONTACT MATERIAL: PHOSPHOR BRONZE.
2. CONTACT FINISH: NICKEL UNDERPLATE ALL OVER, MATING SURFACES PLATED TO MEET PL1 PERFORMANCE REQUIREMENTS OF INDUSTRY SPECIFICATION EIA-700AAAB, SOLDER TAILS PLATED TIN.
3. DATUM LOCATIONS AND BASIC DIMENSIONS TO BE ESTABLISHED BY THE CUSTOMER. CONSULT AMP ENGINEERING WHEN PLACING MULTIPLE CONNECTORS ON A PC BOARD.
4. PACKAGED IN TAPE ON REEL PER EIA-481.
5. 1.5 MIN DIAMETER HOLE SHOULD BE USED IF USING POST STYLE "A" AND PLACING ON PCB WITH VACUUM PLACEMENT EQUIPMENT.
6. SHORTER SOLDER LANDS MAY BE USED PER EIA 700AAAB, HOWEVER 2.4 LENGTH ASSURES OPTIMUM SOLDER FILLET REGARDLESS OF MANUFACTURER OF CONNECTOR.
7. REFERRED TO AS DIM H = 5.30±0.1 IN EIA700AAAB SPECIFICATION.
8. CONTACT FINISH: 0.00381 MINIMUM MATTE TIN PER ASTM B 545 ON SOLDER AREA, 0.00127 MINIMUM GOLD PER ASTM B 488 ON MATING AREA, BOTH OVER 0.00127 MINIMUM NICKEL PER SAE-AMS-QQ-N-290 ON ENTIRE CONTACT.
9. SQUARE AND DIAMOND SHAPED POSTS
10. ROUND SHAPED POSTS

9 STYLE A POSTS



10 STYLE B POSTS



RECOMMENDED PC BOARD LAYOUT

POST STYLE	FINISH	DIM D	DIM C	DIM B	DIM A	STACK HGTS	POS	PART NO
10	8	44.4	45.9	44.22	41	8, 9, 10	84	3-5120521-2
10	8	34.4	35.9	34.22	31	8, 9, 10	64	3-5120521-1
10	2	44.4	45.9	44.22	41	8, 9, 10	84	2-5120521-2
10	2	34.4	35.9	34.22	31	8, 9, 10	64	2-5120521-1
9	8	44.4	45.9	44.22	41	8, 9, 10	84	1-5120521-2
9	8	34.4	35.9	34.22	31	8, 9, 10	64	1-5120521-1
9	2	44.4	45.9	44.22	41	8, 9, 10	84	5120521-2
9	2	34.4	35.9	34.22	31	8, 9, 10	64	5120521-1

THIS DRAWING IS A CONTROLLED DOCUMENT.

DIMENSIONS: mm	TOLERANCES UNLESS OTHERWISE SPECIFIED:	DWN B. CARBO 29SEP04	CHK R. WERTZ 29SEP04	APP'D R. WERTZ 29SEP04	NAME
9 PLC ±	±	PRODUCT SPEC	RECEPTACLE ASSY, 1.0mm FH (IEEE1386) CONNECTOR		
3 PLC ±0.03	±0.03	502-1079	SIZE	CAGE CODE	DRAWING NO
5 PLC ±0.003	±0.003	APPLICATION SPEC	A100779	C=5120521	RESTRICTED TO
4 PLC ±	±	114-25045	WEIGHT	SCALE	SHEET 1 OF 1
ANGLES ±	±	40°-1'	CUSTOMER DRAWING	SCALE 10:1	REV A2
FINISH	SEE TABLE				

STE TE Connectivity